

## 200\*200 Ultra Slim LED Panel Light Datasheet

### ➤ Introduction

This product is combined side emitting backlight technology with special designed dot LGP, with the features of uniform illumination, low cost maintenance and high efficiency, it can be widely used to commercial and residential lighting areas; recessed type, suspending type and mounting type installation available, it is an ideal replacement for conventional 2020 type grid light fitting or ceiling light.

### ➤ Application

It is ideal for hotels, conference rooms, workshops, offices or hospitals and other indoor areas which require high illumination and energy-saving.

### ➤ Features

1. Soft and even light, no ultraviolet and infra-red radiation
2. Multi-type installation optional
3. Top slim design, quick start and low cost maintenance

### ➤ Specifications

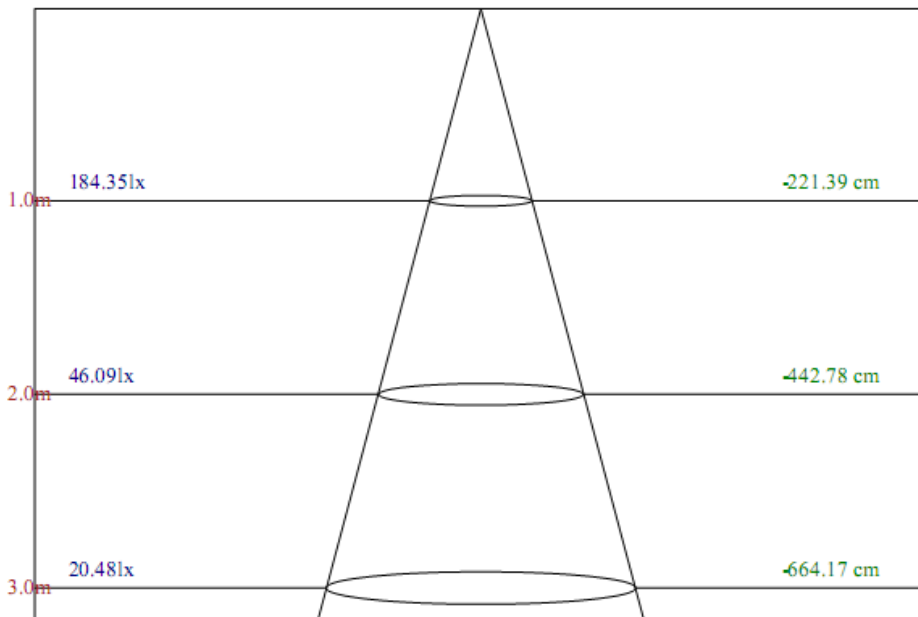
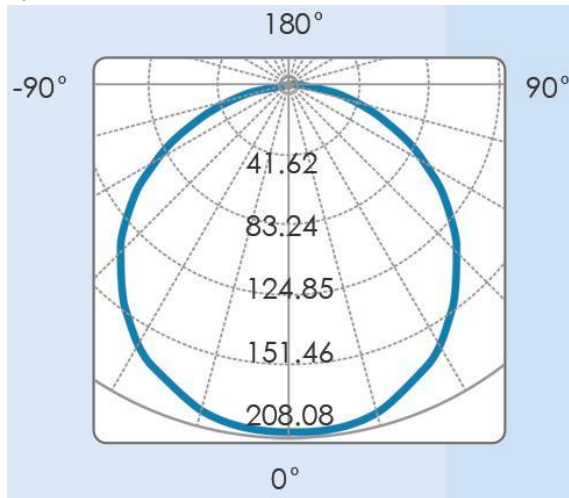
Item	Data	Item	Data
<b>Part No.</b>	AALP2020		
<b>Input voltage</b>	AC100-240V	<b>Input current</b>	0.11A max
<b>Rating power</b>	10W	<b>PFC</b>	>0.9
<b>Working temp.</b>	-20°C ~ +50°C		
<b>Housing</b>	Aluminium alloy+ Optical material	<b>N.W.</b>	1.0Kg
<b>IP rating</b>	IP20	<b>LED</b>	5630 SMD(20pcs)
<b>Dimension</b>	196.5×196.5×9.3(Not including driver)		
<b>Certification</b>	ROHS, CCC,CE, UL CSA power supply		
<b>Dimming</b>	Dimmable/Non-dimmable		

### ➤ Optical Parameters

Part No.	Luminous flux	Color	CRI	Beam angle
<b>AALP2020(CW)</b>	590lm	Cool white	>70	110°
<b>AALP2020(NW)</b>	590lm	Neutral white	>70	110°
<b>AALP2020(WW)</b>	520lm	Warm white	>70	110°

# A&A Optoelectronics Ltd LED Lighting

## Luminous intensity distribution curve



## 1. Installation

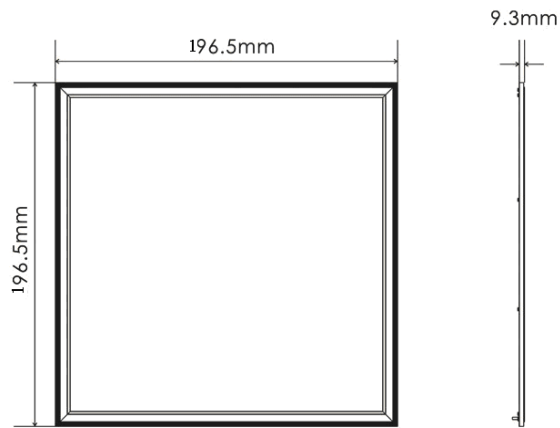


Product picture

# A&A Optoelectronics Ltd

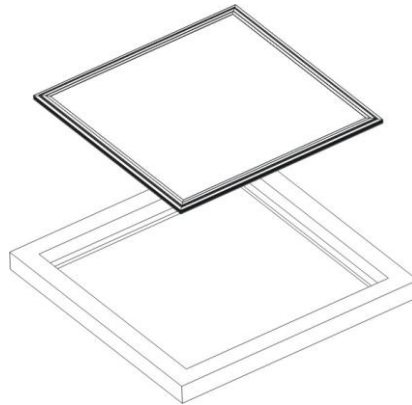
## LED Lighting

2. **Outer dimensions** 196.5x196.5x9.3(not including driver)



### 3. Installation

- A. Recessed
- A1. Picture

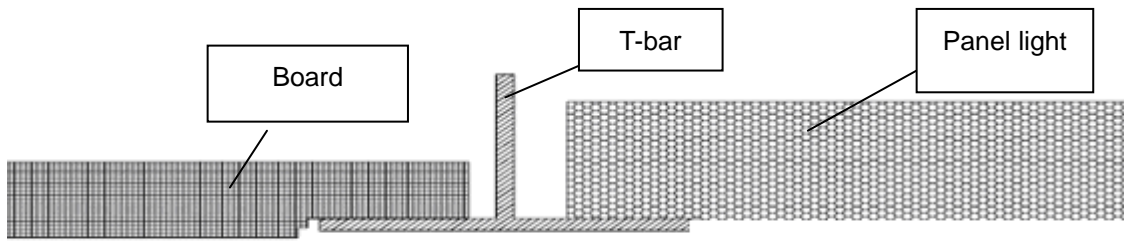


A2. Cut out

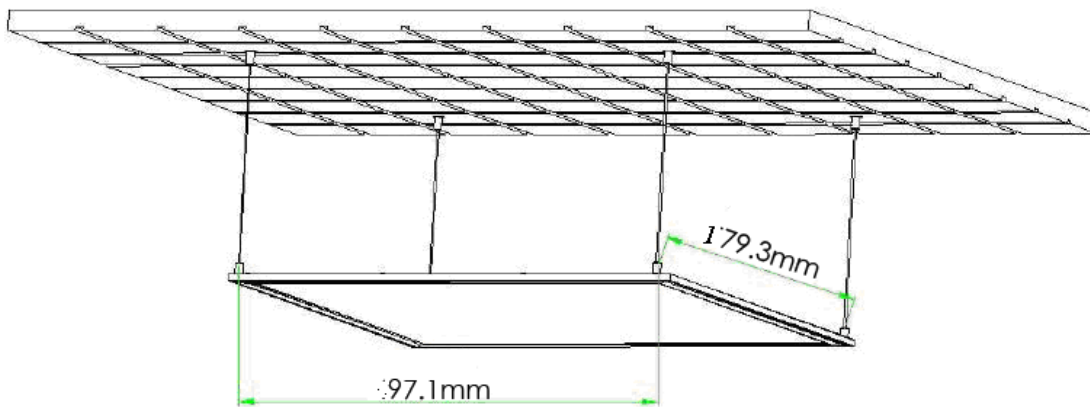


A3. Detail drawing to mounting installation

# A&A Optoelectronics Ltd LED Lighting

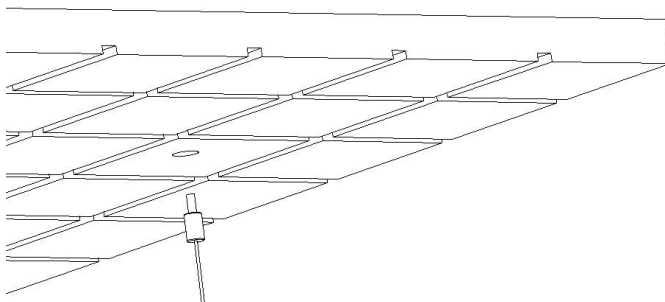


## B. Suspending installation



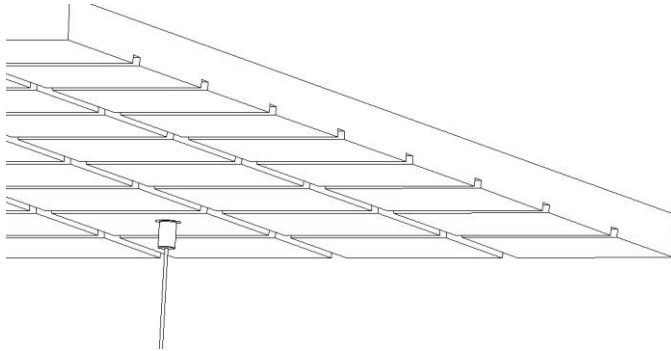
### Steps:

1. Drill 4 holes in the ceiling with the depth 35mm and make sure neighboring holes space is about  $97.1 \times 179.3$ mm, press down plastic anchors in the holes and make them parallel to the ceiling, then fix M3.5 screws on plastic anchors after crossing fixed base.

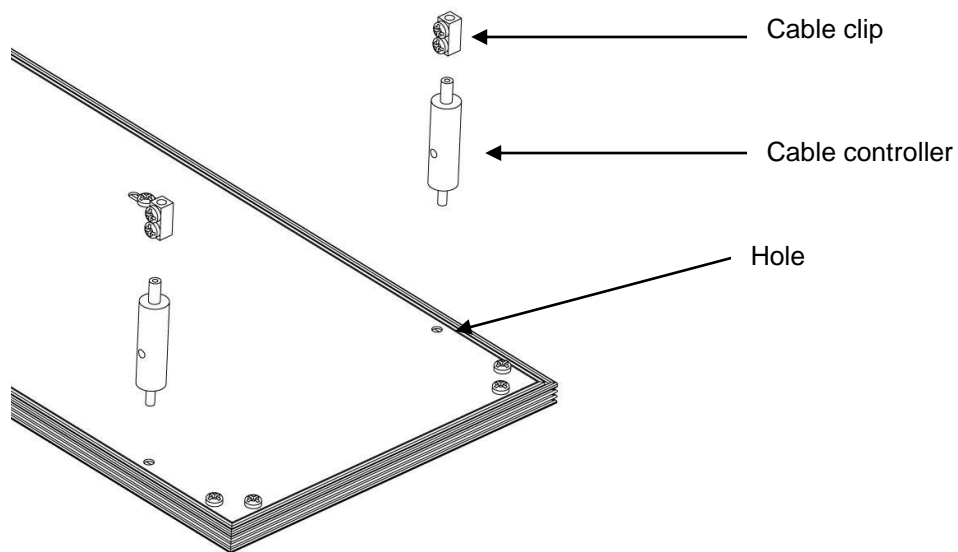


2. Fasten stripe after make its terminal cross the fixed base

# A&A Optoelectronics Ltd LED Lighting

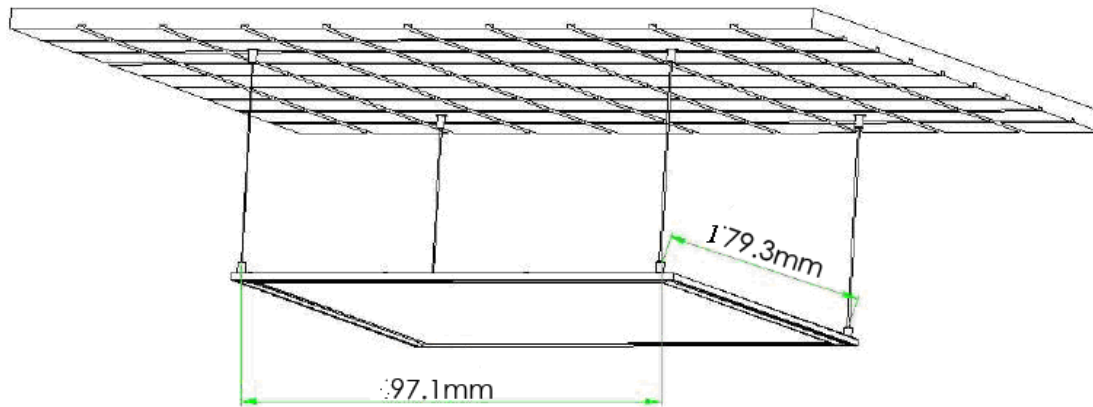


3. Twist strip controllers (4units with M3 thread) onto the holes on the back of light pan, make the strip cross the controller and fit it, join the cable clips with the strips in case invalid work of the controller.



4. Adjust height of 4 strips to make the light parallel to the ceiling, and install LED driver, switch on the light

# A&A Optoelectronics Ltd LED Lighting



C recessed installation

The size of space is 120mm by 170mm  
Spring locks are attached for installation.

## ➤ Packing

Full packing includes one light with the driver

Packing size:246\*292\*46(mm)

N.W.:1.0Kg

G.W.:1.3Kg

## Caution:

Do not disassemble the light with electricity;

Turn to a qualified election for help and maintenance

