

30120 LED Ultra-thin Panel Light Specification

➤ **Introduction:**

KONKA LED ultra-thin panel lights series with side-emitting and the professional light guide plate of network design, making the whole light with uniform lighting. The main application focus on commercial lighting and home lighting, and with three installation manners: embedded, ceiling-mounted and ceiling types. It can be used to replace the 30120type traditional grille light. Energy-saving 、 efficient and low maintenance cost.

➤ **Design Highlights**

Schools, offices, shopping malls, hospitals, house.

➤ **Application Areas:**

1. Light uniform, soft, comfortable and bright, effectively relieve eye tiredness;
2. Multiple installations: hang, embedded, ceiling type;
3. Panel light is fashionable and thin, also energy saving and low maintenance costs to meet the illumination under the premise.

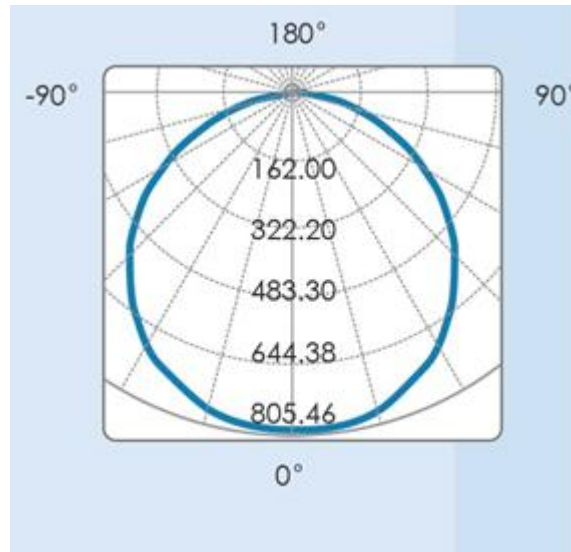
➤ **Technical Specifications:**

| Item | Value | Item | Value |
|------------------------------|-----------------------------------------|--------------------------|-----------------|
| Model | AALP30120 | | |
| Input Voltage | AC110-240V | Input current | 0.43A max |
| Wattage | 40W | Power Factor | >0.85 |
| Operating temperature | -40°C ~ +60°C | Relative Humidity | 10%~95% |
| Material | Aluminum + Acrylic (PMMA) | Net weight | 5.5Kg |
| IP Code | IP20 | LED Qty. | 5730 SMD(98pcs) |
| Dimension | 1196×296×9.3mm (Excluding power supply) | | |
| Certification | ROHS, CCC,CE,UL CSA power supply | | |
| Dimming | Dimmable/Not dimmable | | |

➤ **Optical Properties:**

| \ | Luminous Flux | Color | CRI | Angle |
|----------------|---------------|---------------|-----|----------|
| AALP30120 (CW) | 2670Lm | Warm white | >80 | 120 °±10 |
| AALP30120 (NW) | 2400Lm | Neutral white | >80 | 120 °±10 |
| AALP30120 (WW) | 2230Lm | Cool white | >80 | 120 °±10 |

A&A Optoelectronics Ltd LED Lighting

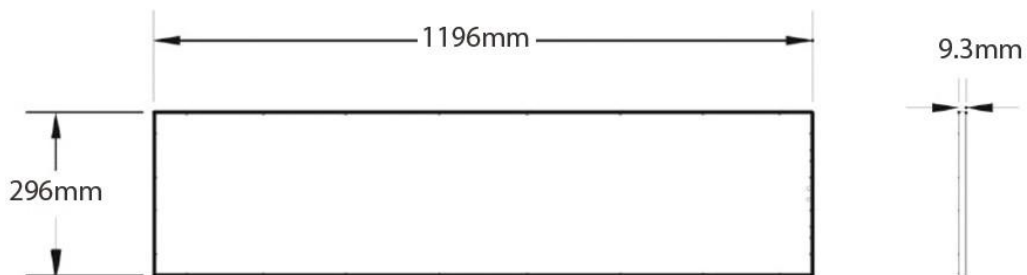


➤ Product Dimensions:

1. Appearance:



2. Dimensions : 1196×296×9.3mm (Excluding power supply)

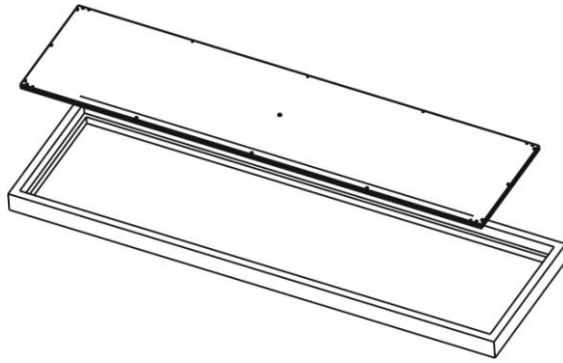


3. Installation instructions:

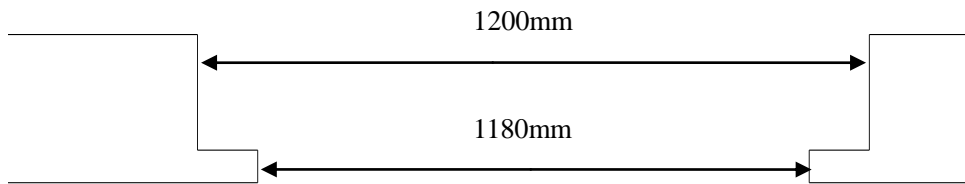
A. Embedded

A&A Optoelectronics Ltd LED Lighting

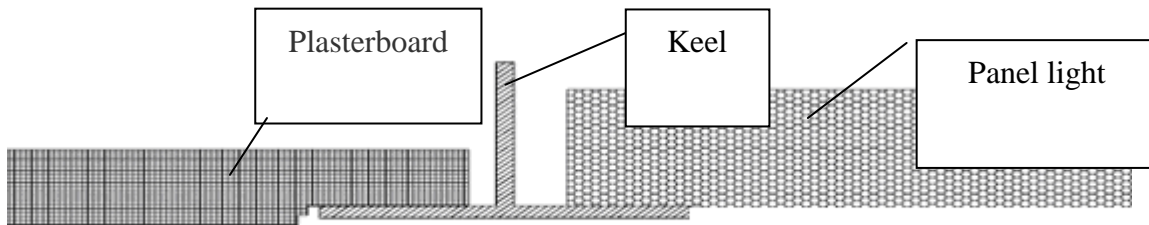
A1.



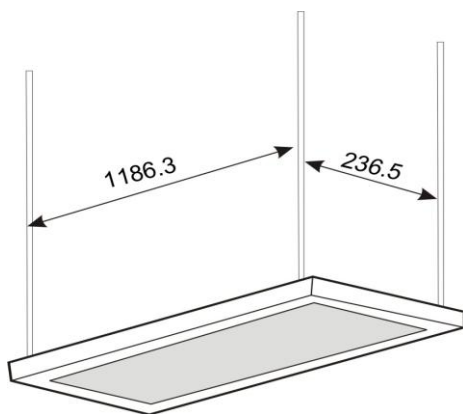
A2. Hole Size



A3. Ceiling-mounted node map



B. Embedded



A&A Optoelectronics Ltd

LED Lighting

➤ **Packaging:**

A complete package of this product includes a LED ultra-thin panel light and a constant current power supply;

Package size: 1226*380*46(mm)

Net weight: 5.5Kg

✧ **Cautions**

- In order to ensure the product work properly, please use the power supply within indicating voltage range.
- Please follow the correct installation steps to install the product.
- Please turn off the power supply for the base to avoid the risk of electric shock while installing or uninstalling the product.
- Do not use the products in the high humidity or dust environment, including but not limited to the following environment: bathroom, sauna room, polishing workshop.
- Do not look directly at LED light source for a long time, because the high-intensity light source may cause harm to eyes.