

A&A Optoelectronics Ltd

LED Lighting

300*300 Ultra Slim LED Panel Light Datasheet

➤ Introduction

This product is combined side emitting backlight technology with special designed dot LGP, with the features of uniform illumination, low cost maintenance and high efficiency, it can be widely used to commercial and residential lighting areas; recessed type, suspending type and mounting type installation available, it is an ideal replacement for conventional 3030 type grid light fitting or ceiling light.

➤ Application

It is ideal for hotels, conference rooms, factories, offices or hospitals and other indoor areas which require high illumination and energy-saving.

➤ Features

1. Uniform light output
2. Multi-type installation optional
3. Top slim design, quick start and low cost maintenance

➤ Specifications

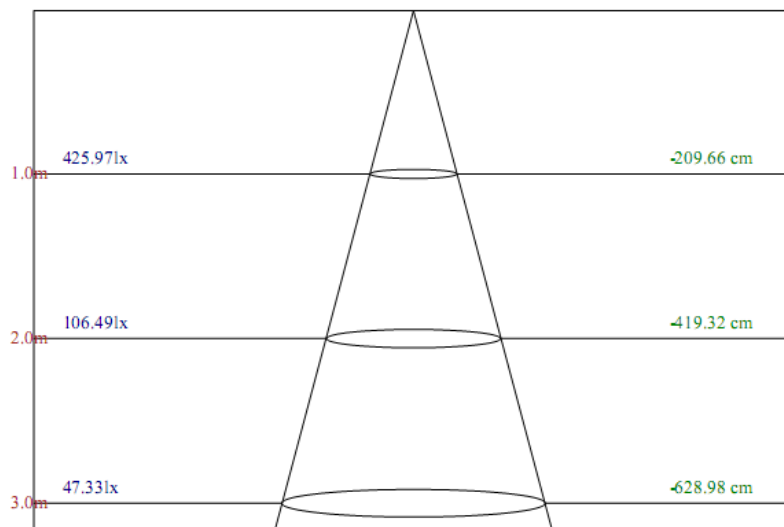
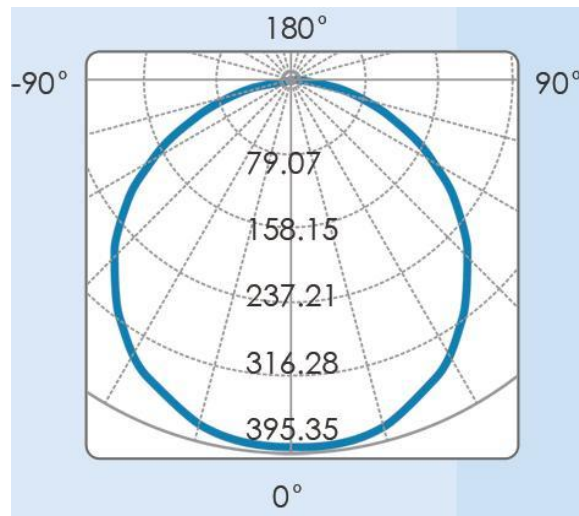
Item	Data	Item	Data
P.N.	AALP3030		
Input voltage	AC100-240V	Input current	0.20A max
Rating power	19W	PFC	>0.9
Working Temp.	-20°C ~ +50°C		
Housing	Aluminium alloy+Optical material	N.W.	1.4Kg
IP rating	IP20	LED	5630 SMD(42pcs)
Dimension	296.5×296.5×9.3(not including driver)		
Certification	ROHS, CCC,CE, UL CSA power supply		
Dimming	Dimmable/Non-dimmable		

➤ Optical Parameters

Part No.	Luminous flux	Color	CRI	Beam angle
AALP3030(CW)	1230lm	Cool white	Ra>70	110°
AALP3030(NW)	1230lm	Neutral white	Ra>70	110°
AALP3030(WW)	1080lm	Warm white	Ra>70	110°

A&A Optoelectronics Ltd LED Lighting

➤ Luminous intensity distribution curve



➤ Installation

1. Product picture



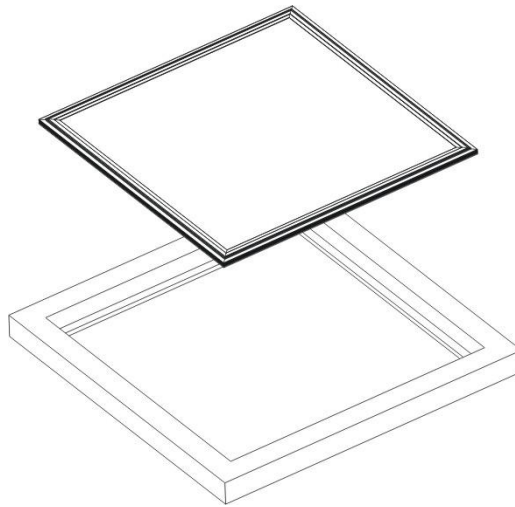
2. Outer dimensions 296.5×296.5×9.3mm(not including driver)

A&A Optoelectronics Ltd LED Lighting

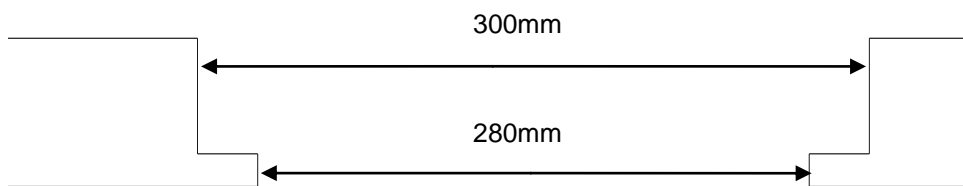
3. Installation step

A. Recessed

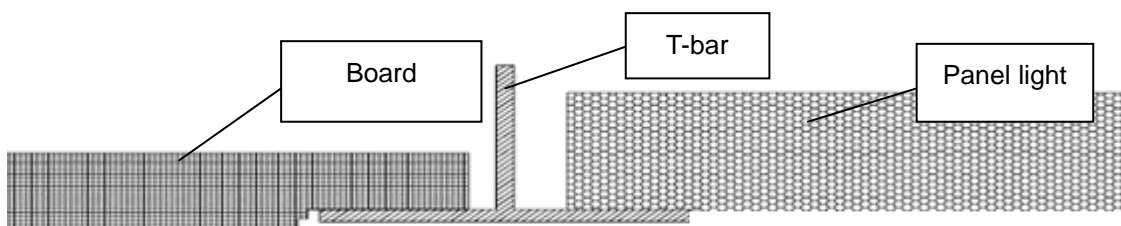
A1. Picture



A2. Cut out

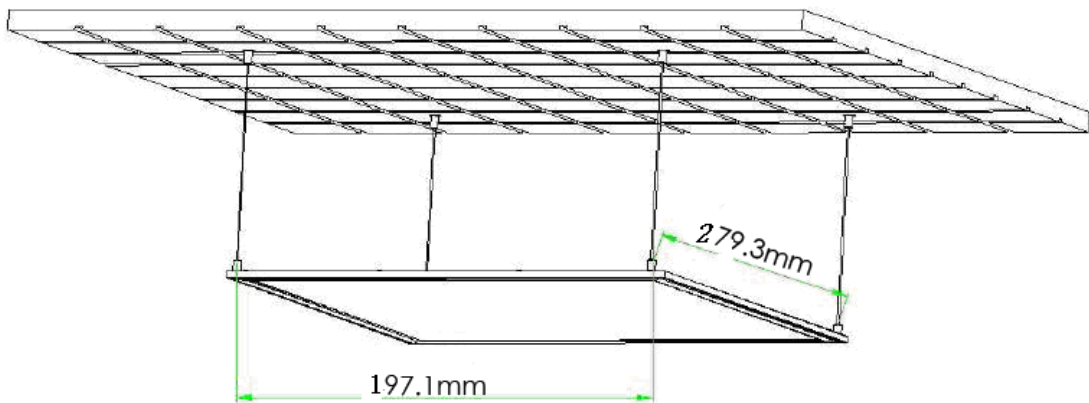


A3. Detail drawing to surface mounting installation



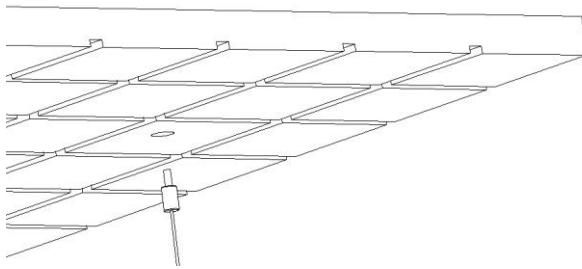
A&A Optoelectronics Ltd LED Lighting

B. Suspending installation

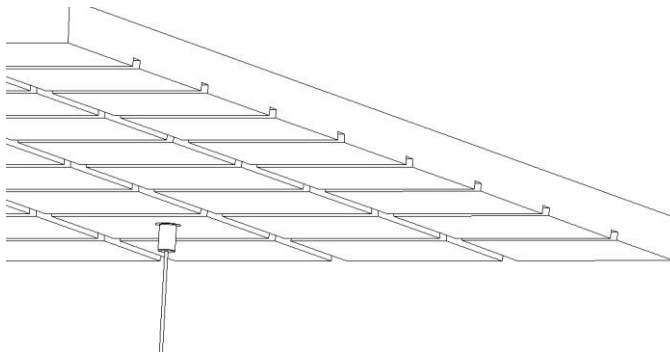


Steps:

1. Drill 4 holes in the ceiling with the depth 35mm and make sure neighboring holes space is about 197.1×279.3 mm, press down plastic anchors in the holes and make them parallel to the ceiling, then fix M3.5 screws on plastic anchors after crossing fixed base.

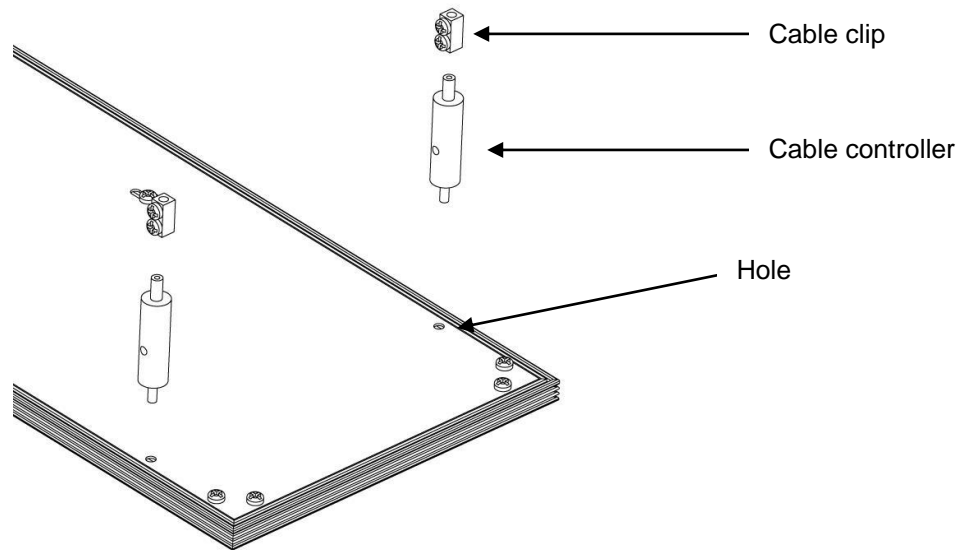


2. Fasten stripe after make its terminal cross the fixed base

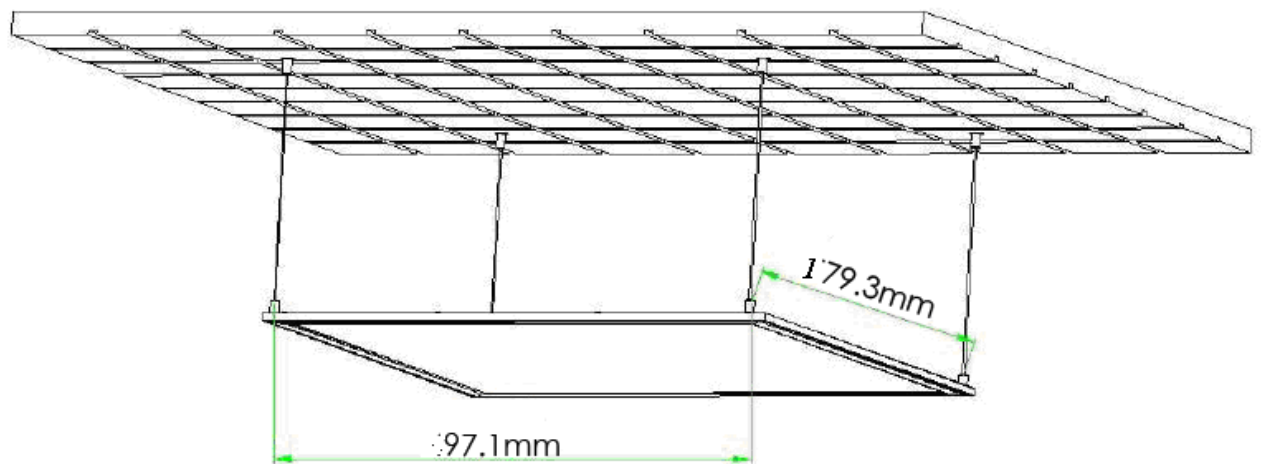


3. Twist strip controllers (4units with M3 thread) onto the holes on the back of light pan, make the strip cross the controller and fit it, join the cable clips with the strips in case invalid work of the controller.

A&A Optoelectronics Ltd LED Lighting



4. Adjust height of 4 strips to make the light parallel to the ceiling, and install LED driver, switch on the light



➤ **Packing**

Full packing includes one light with the driver

Packing size: 346*392*46(mm)

N.W:1.4Kg

G.W:1.7Kg

Caution:

Do not disassemble the light;

Ask a qualified election for reparation and maintenance