

A&A Optoelectronics Ltd

LED Lighting

600*600 Ultra Slim LED Panel Light Datasheet

➤ Introduction

This product is combined side emitting backlight technology with special designed dot LGP, with the features of uniform illumination, low cost maintenance and high efficiency, it can be widely used to commercial and residential lighting areas; recessed type, suspending type and mounting type installation available, it is an ideal replacement for conventional 6060 type grid light fitting or ceiling light.

➤ Application

It is ideal for hotels, conference rooms, workshops, offices or hospitals and other indoor areas which require high illumination and energy-saving.

➤ Features

1. Uniform light output
2. Multi-type installation optional
3. Top slim design, quick start and low cost maintenance

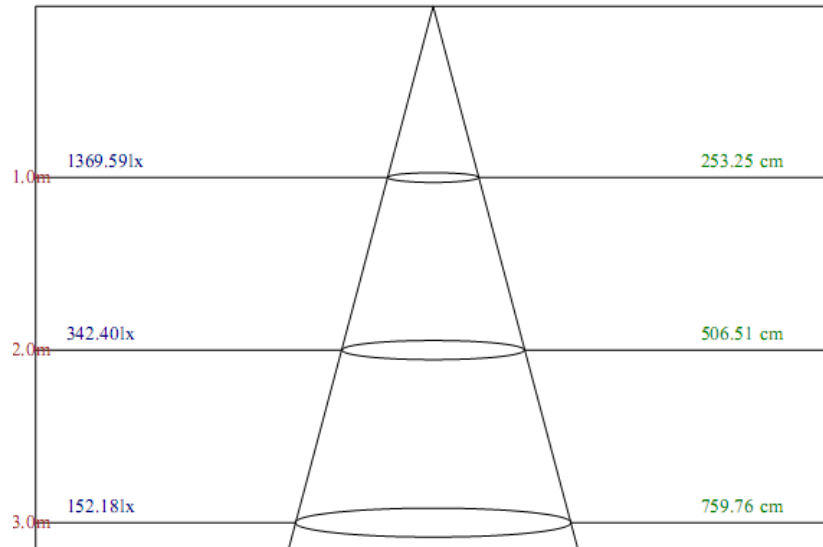
➤ Specifications

Item	Data	Item	Data
Part No.	AALP6060		
Input voltage	AC110-240V	Input current	0.48A max
Rating power	50W	PFC	>0.95
Working temp.	-25°C ~ +50°C		
Housing	Aluminium alloy+Optical material	N.W.	5.7Kg
IP rating	IP20	LED	5630 SMD(160pcs)
Dimension	596.5×596.5×9.3 (not including driver)		
Certification	ROHS, CCC,CE, UL,CSA power supply		
Dimmable	Dimmable/non-dimmable		

➤ Optical Parameters

Part No.	Luminous flux	Color	CRI	Beam angle
AALP6060-50(CW)	3720lm	Cold white	>70	110°
AALP6060-50(NW)	3680lm	Neutral white	>70	110°
AALP6060-50(WW)	3270lm	Warm white	>70	110°

A&A Optoelectronics Ltd LED Lighting



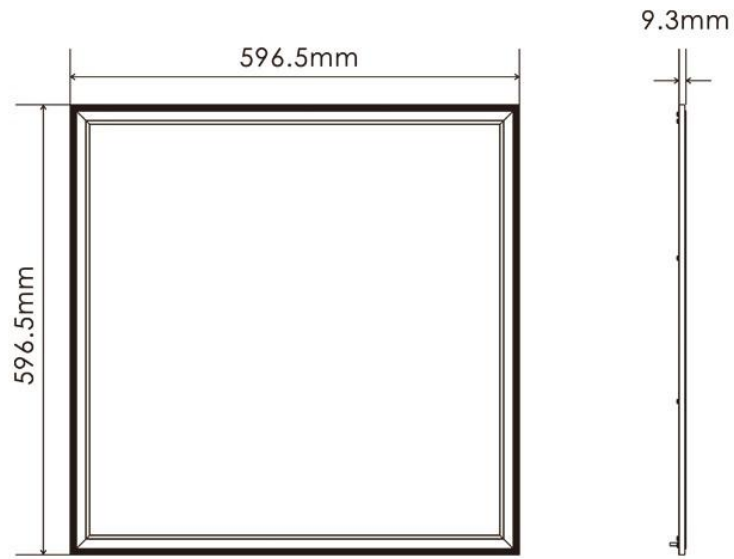
➤ Installation

1. Product picture

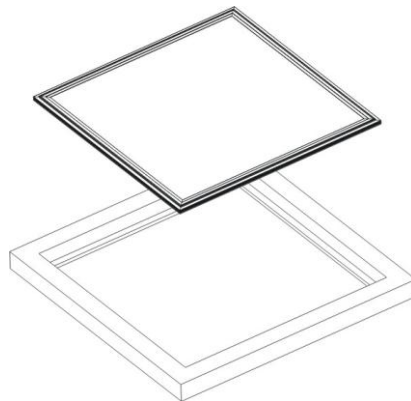


2. Outer dimension 596.5×596.5×9.3 (Not including LED driver)

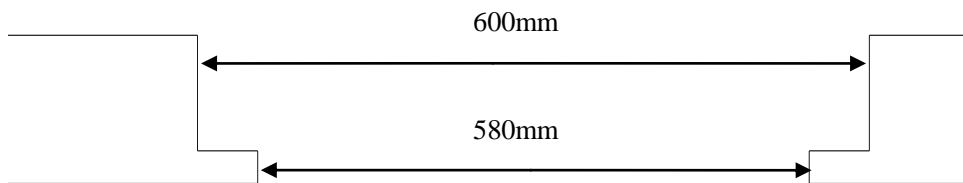
A&A Optoelectronics Ltd LED Lighting



- 3. Installation step
 - A. Recessed
 - A1.

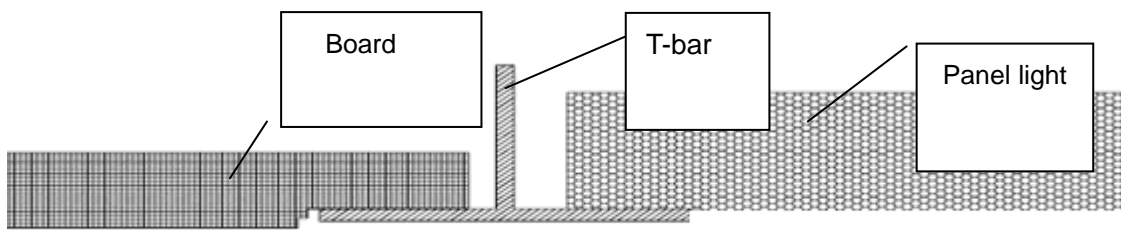


- A2. Cut out



- A3. Detail drawing to surface mounting installation

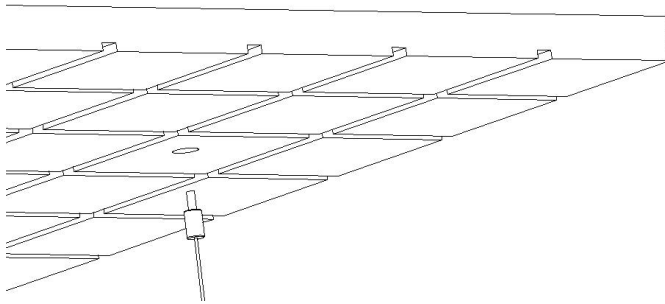
A&A Optoelectronics Ltd LED Lighting



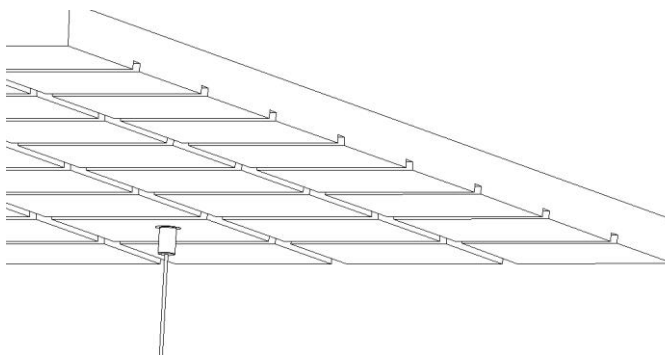
B. Suspending installation

Steps:

1. Drill 4 holes in the ceiling with the depth 35mm and make sure neighboring holes space is about 497.1×579.3mm, press down plastic anchors in the holes and make them parallel to the ceiling, then fix M3.5 screws on plastic anchors after crossing fixed base.

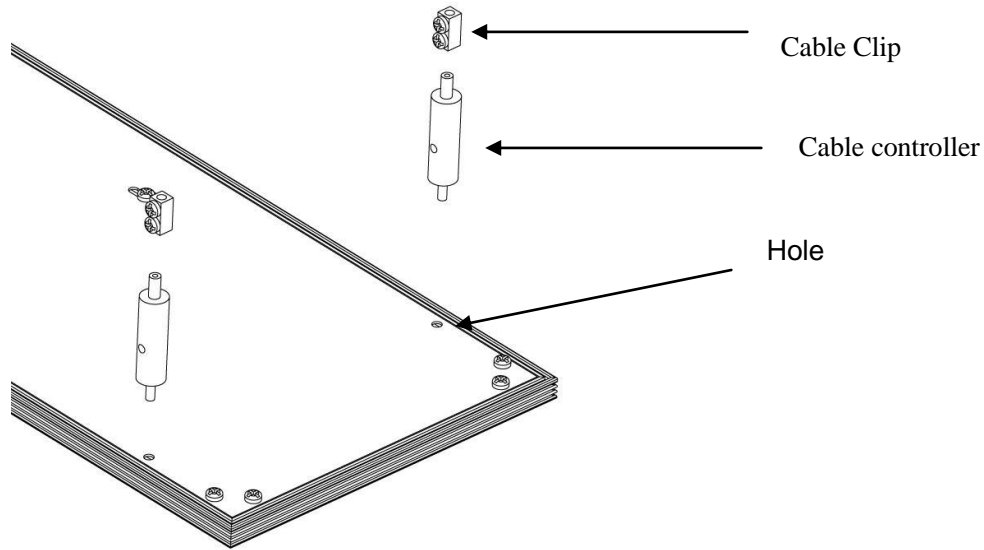


2. Fasten stripe after make its terminal cross the fixed base

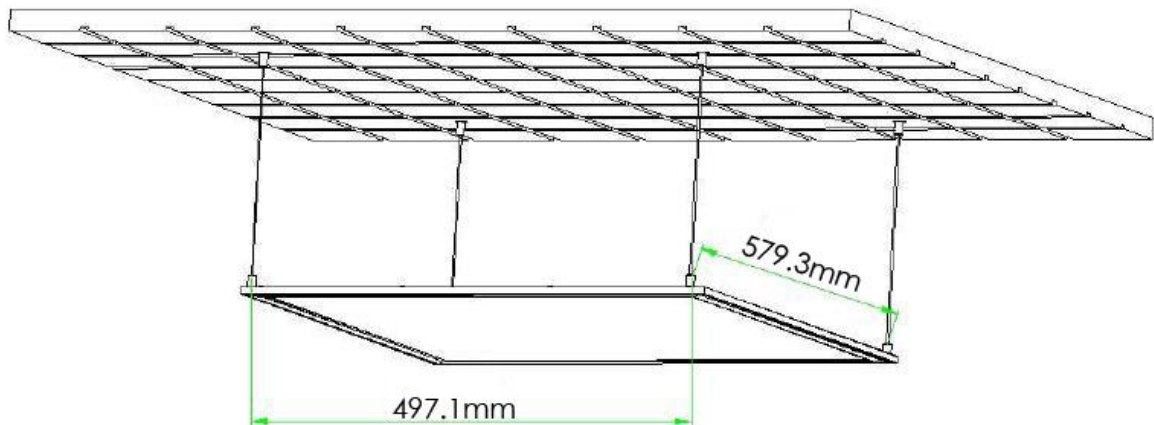


3. Twist strip controllers (4units with M3 thread) onto the holes on the back of light pan, make the strip cross the controller and fit it, join the cable clips with the strips in case invalid work of the controller.

A&A Optoelectronics Ltd LED Lighting



4. Adjust height of 4 strips to make the light parallel to the ceiling, and install LED driver, switch on the light



➤ Packing

Full packing includes one light with the driver

Packing size: 646*692*46(mm)

N.W:5.5Kg

G.W:6Kg

Caution:

Do not disassemble the light;

Ask a qualified election for reparation and maintenance