

15W Ultra-thin Downlight Specification

➤ **Introduction:**

A&A 8.5"(15W) ultra-thin downlight with LED side-emitting, which greatly reduce the thickness of structural components and compact appearance, makes it easy to install. Light body use die-cast aluminum with anodized surface, which ensured the heat dispersion and the daintiness appearance. Widely used in traditional halogen downlight replacement. In addition, this series have 3"、4"、5"、6" and 8.5"as optional.

➤ **Design Highlights:**

1. Embedded fixture, ultra-thin structure design, invisible in the building;
2. High-pressure cast aluminum materials, excellent heat dissipation;;
3. Ensure at the same luminous with the traditional halogen light or even beyond it. Greatly reducing power consumption, energy efficiency;
4. Light uniform with no glare;
5. In addition, this series have 3"、4"、5"、6" and 8.5" as optional.

➤ **Application Areas:**

- Hotels, restaurants, bars, coffee shop;
- Chandelier, wall lamp or modern luminaries

➤ **Technical Specifications:**

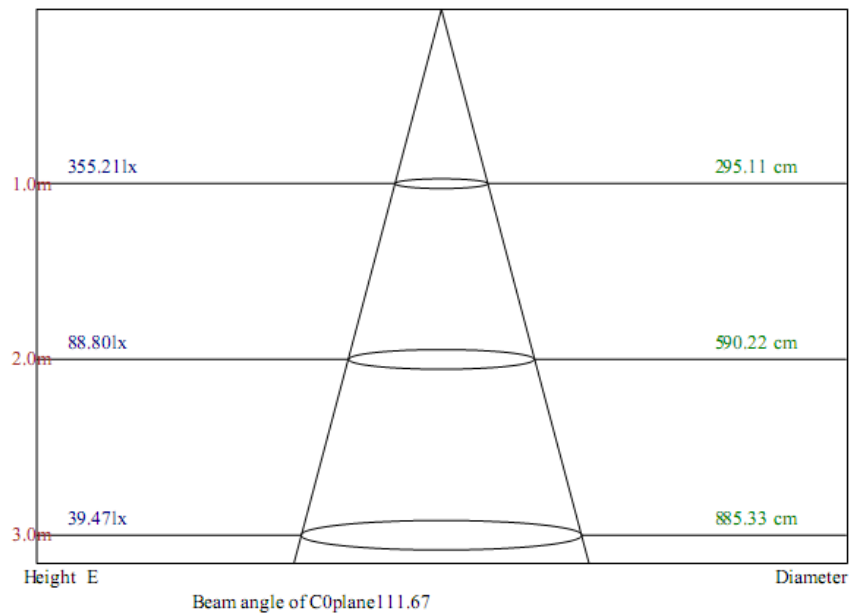
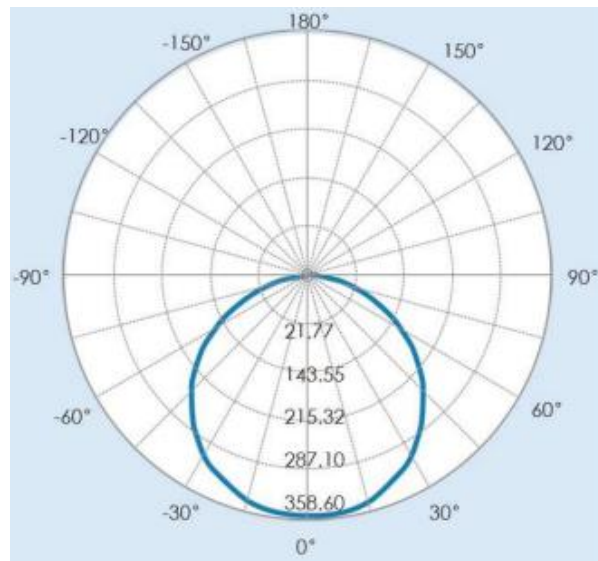
Item	Value	Item	Value
Model	AALPD24		
Input Voltage	AC110-240V	Input current	0.136A max
Wattage	15W	Power Factor	>0.9
Operating temperature	-40℃ ~ +60℃	Relative Humidity	10%~95%
Material	Aluminum + Acrylic(PMMC)	Net weight	0.345Kg
Dimension	∅ 240*H18mm	LED Qty.	204 pcs
Certification	ROHS, CCC, CE, UL,CSA power supply		
Dimming	Dimmable/Not dimmable		

➤ **Optical Properties:**

	Luminous Flux	Color	CRI	Angle
AALPD24(CW)	950Lm	Cool White	>70	120°
AALPD24(NW)	950Lm	Neutral White	>70	120°
AALPD24(WW)	900Lm	Warm White	>70	120°

A&A Optoelectronics Ltd LED Lighting

➤ Polar intensity diagram:



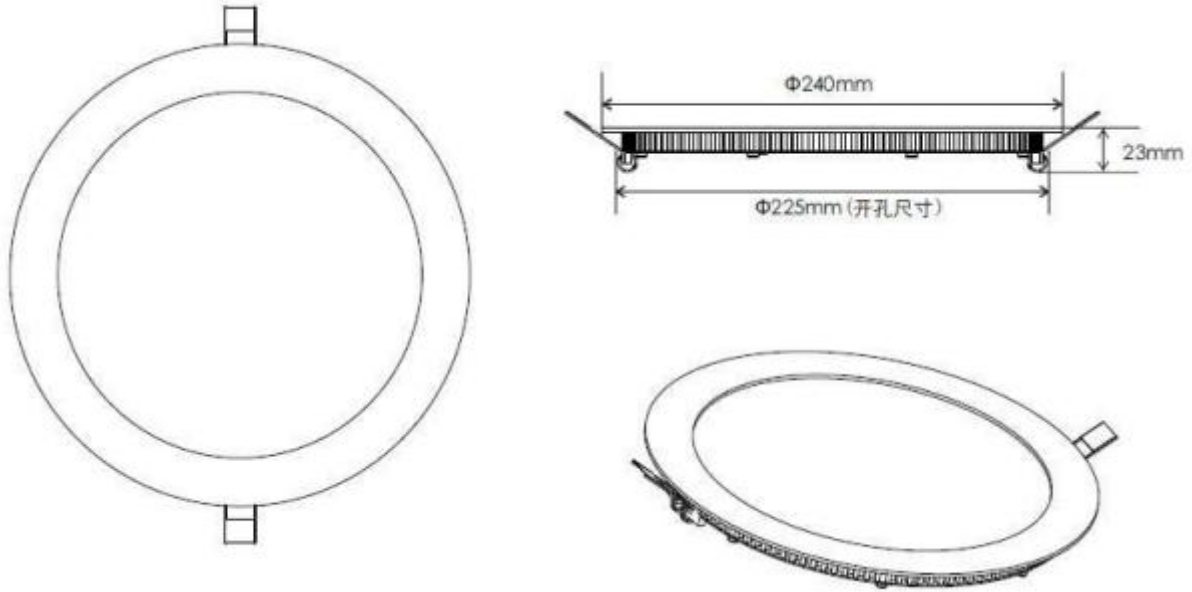
➤ Product Dimensions:

1、 Appearance:



2、 Dimensions:

A&A Optoelectronics Ltd LED Lighting



➤ **Packaging:**

A complete package of this product includes a LED ultra-thin downlight and a constant current power supply;
Package size: 298×280×50 (mm)

✧ **Cautions**

- In order to ensure the product work properly, please use the power supply within indicating voltage range.
- Please turn off the power supply for the base to avoid the risk of electric shock while installing or uninstalling the product.
- Do not use the products in the high humidity or dust environment, including but not limited to the following environment: bathroom, sauna room, polishing workshop.